

SHINDENGEN

Schottky Rectifiers (SBD)

Dual

S30SC4M

40V 30A

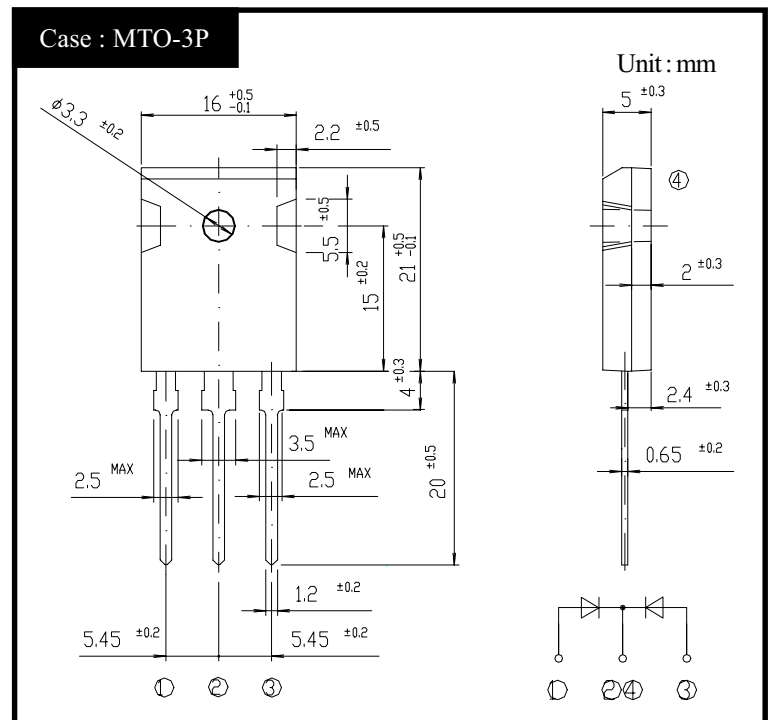
FEATURES

- Tj150°C
- P_{RRSM} avalanche guaranteed
- Small θ_{jc}
- High current capacity

APPLICATION

- Switching power supply
- DC/DC converter
- Home Appliances, Office Equipment
- Telecommunication

OUTLINE DIMENSIONS



RATINGS

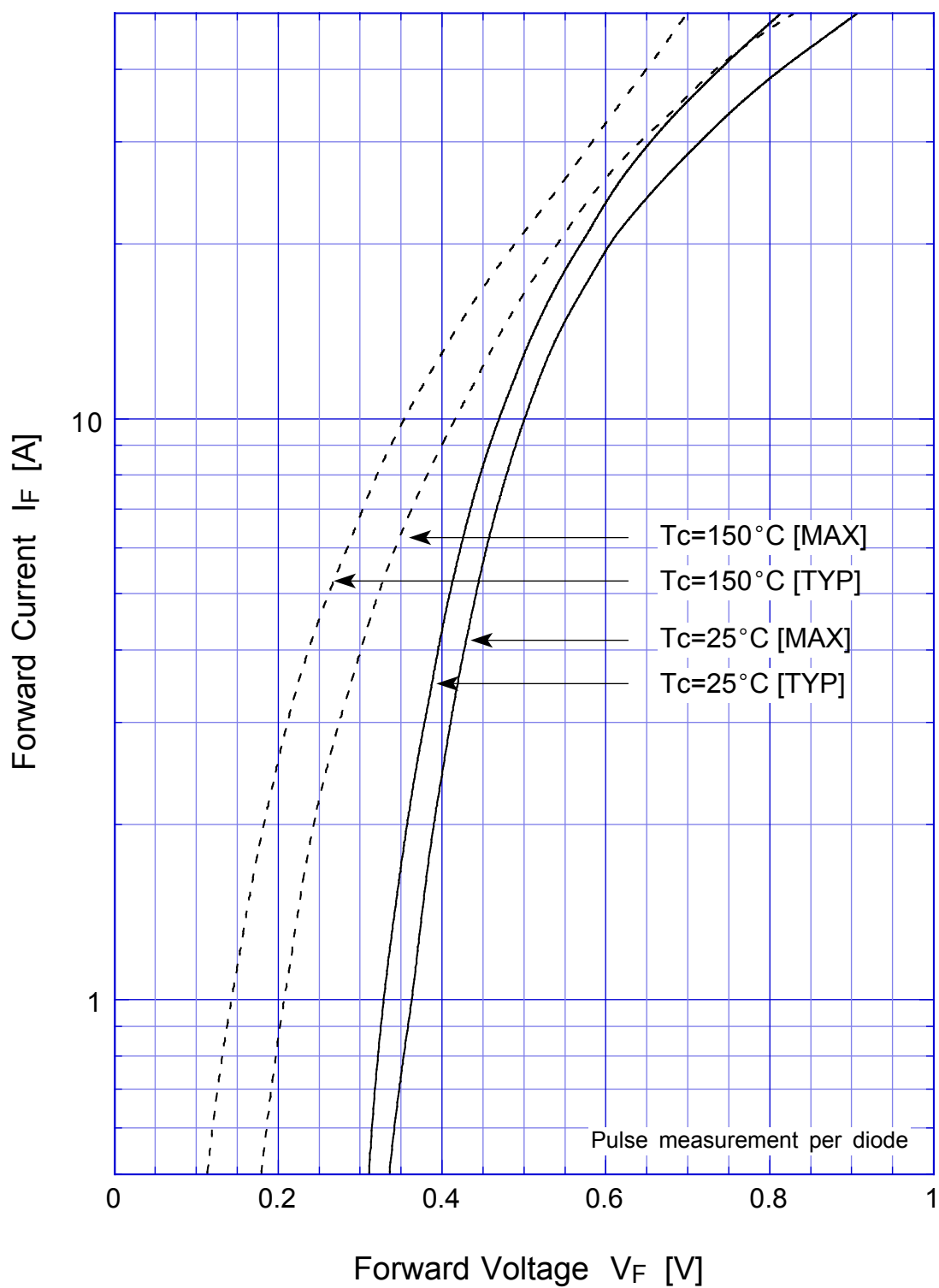
● Absolute Maximum Ratings (If not specified T_c=25°C)

Item	Symbol	Conditions	Ratings	Unit
Storage Temperature	T _{stg}		-40~150	°C
Operating Junction Temperature	T _j		150	°C
Maximum Reverse Voltage	V _{RM}		40	V
Repetitive Peak Surge Reverse Voltage	V _{RRSM}	Pulse width 0.5ms, duty 1/40	45	V
Average Rectified Forward Current	I _O	50Hz sine wave, R-load, Rating for each diode I _O /2, T _c =126°C	30	A
Peak Surge Forward Current	I _{FSM}	50Hz sine wave, Non-repetitive 1 cycle peak value, T _j =125°C	300	A
Repetitive Peak Surge Reverse Power	P _{RRSM}	Pulse width 10 μs, Rating of per diode, T _j =25°C	1000	W
Mounting Torque	TOR	(Recommended torque:0.5N·m)	0.8	N·m

● Electrical Characteristics (If not specified T_c=25°C)

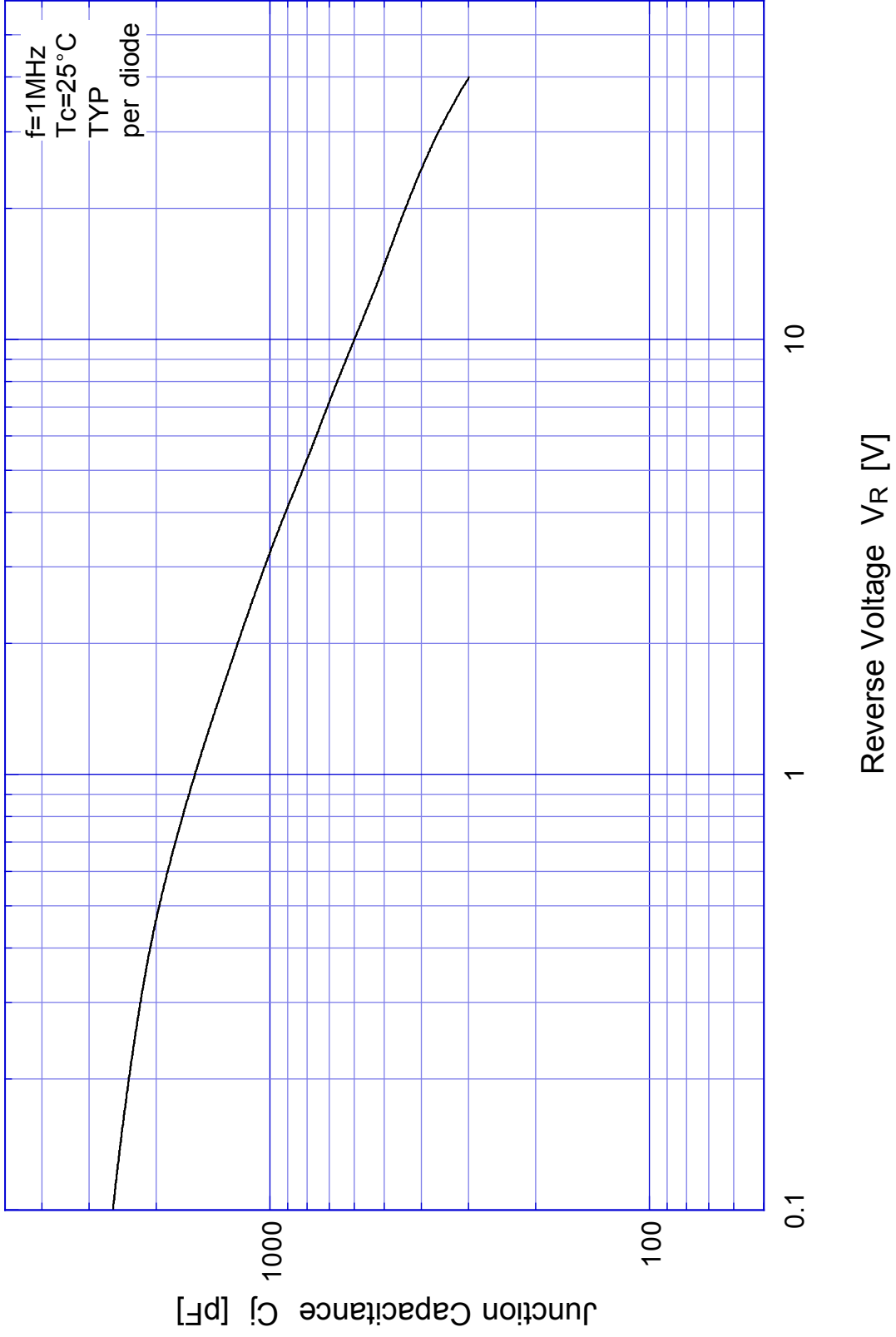
Item	Symbol	Conditions	Ratings	Unit
Forward Voltage	V _F	I _F =15A, Pulse measurement, Rating of per diode	Max.0.55	V
Reverse Current	I _R	V _R =V _{RM} , Pulse measurement, Rating of per diode	Max.10	mA
Junction Capacitance	C _j	f=1MHz, V _R =10V, Rating of per diode	Typ.590	pF
Thermal Resistance	θ_{jc}	junction to case	Max.1.0	°C/W

S30SC4M Forward Voltage

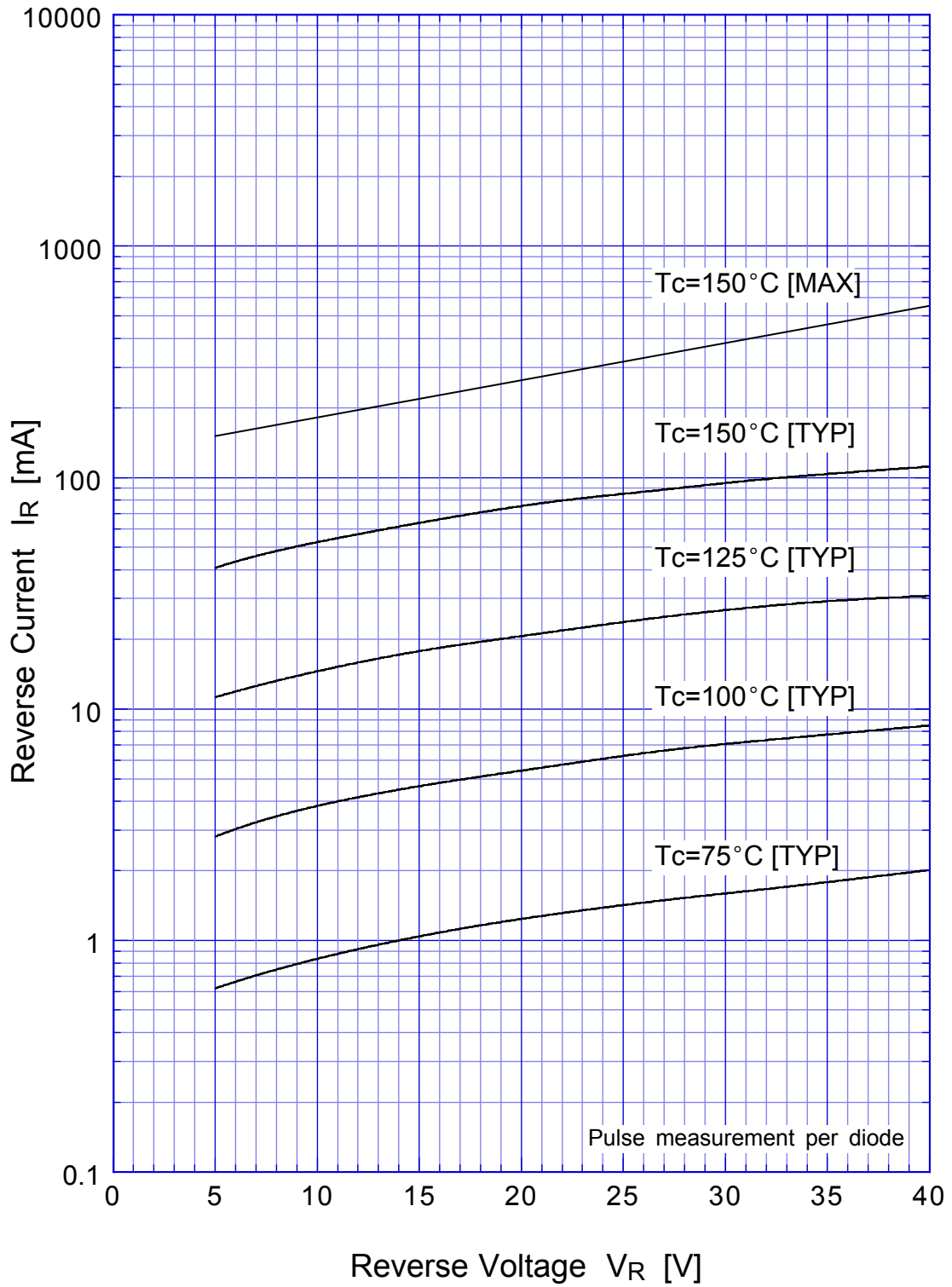


S30SC4M

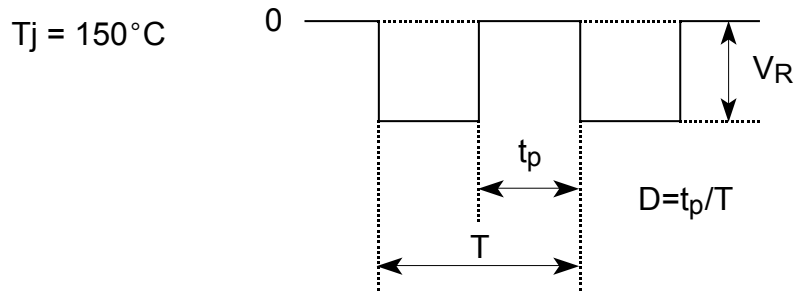
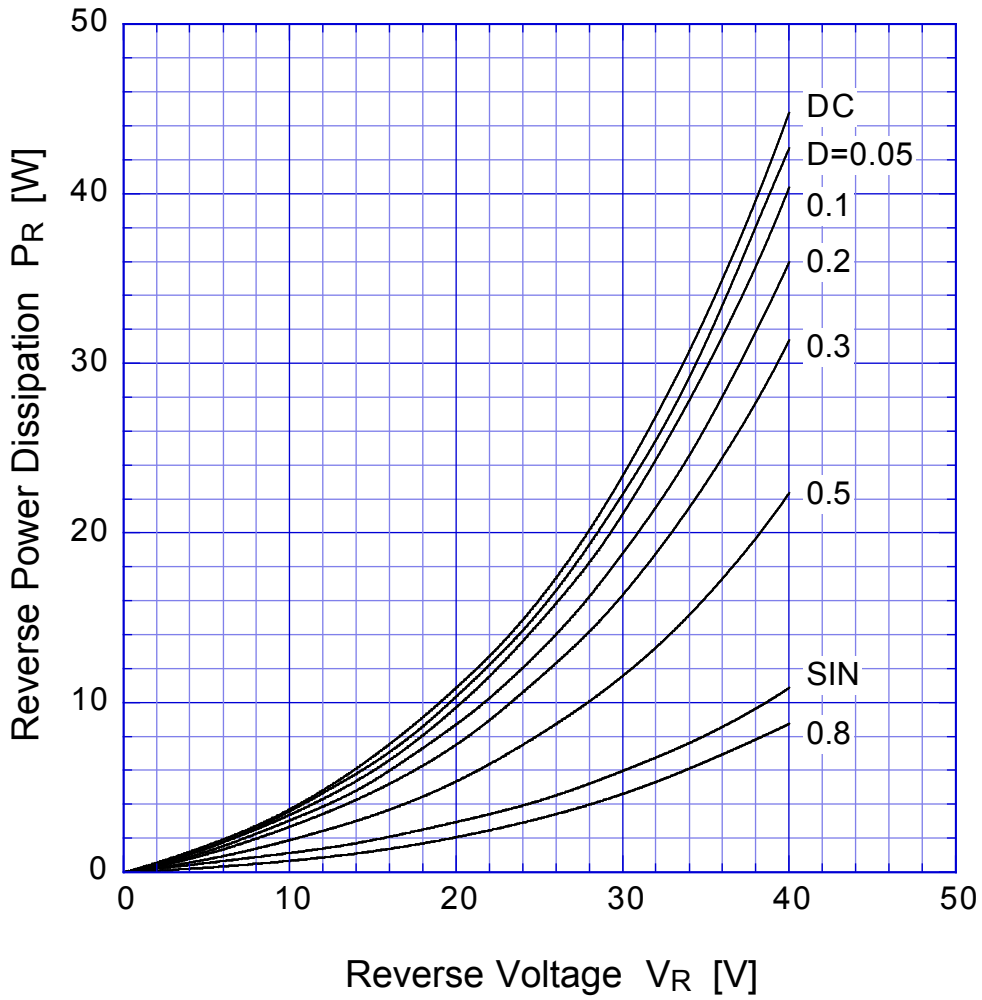
Junction Capacitance



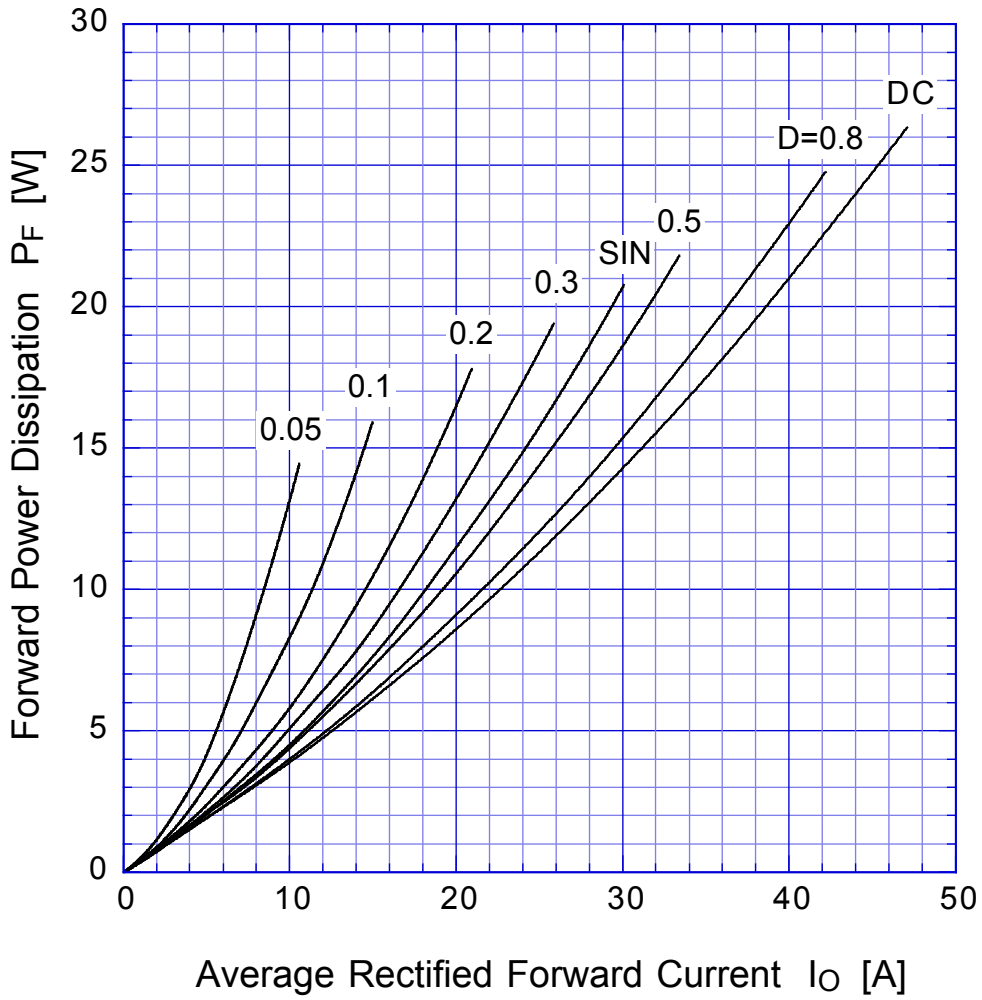
S30SC4M Reverse Current



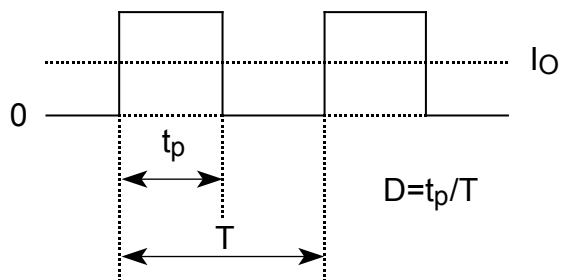
S30SC4M Reverse Power Dissipation



S30SC4M Forward Power Dissipation

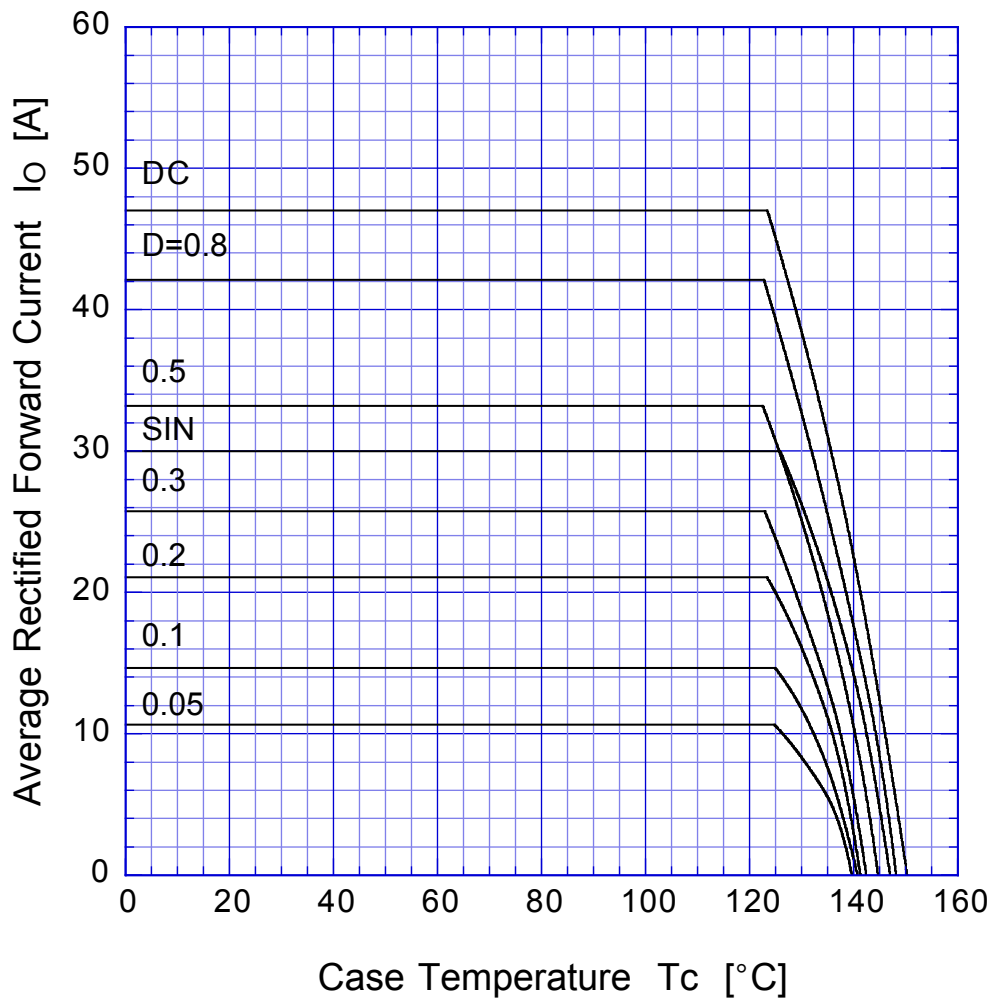


$T_j = 150^\circ\text{C}$

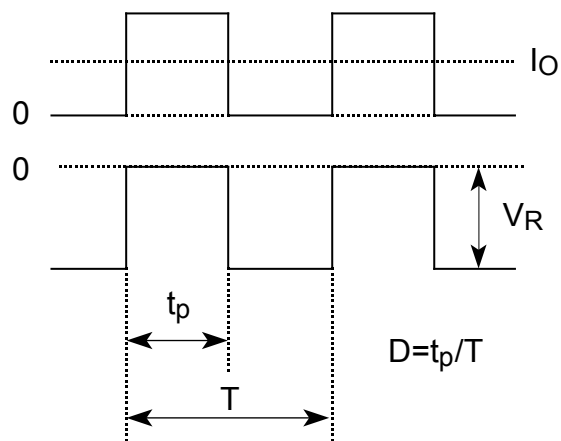


S30SC4M

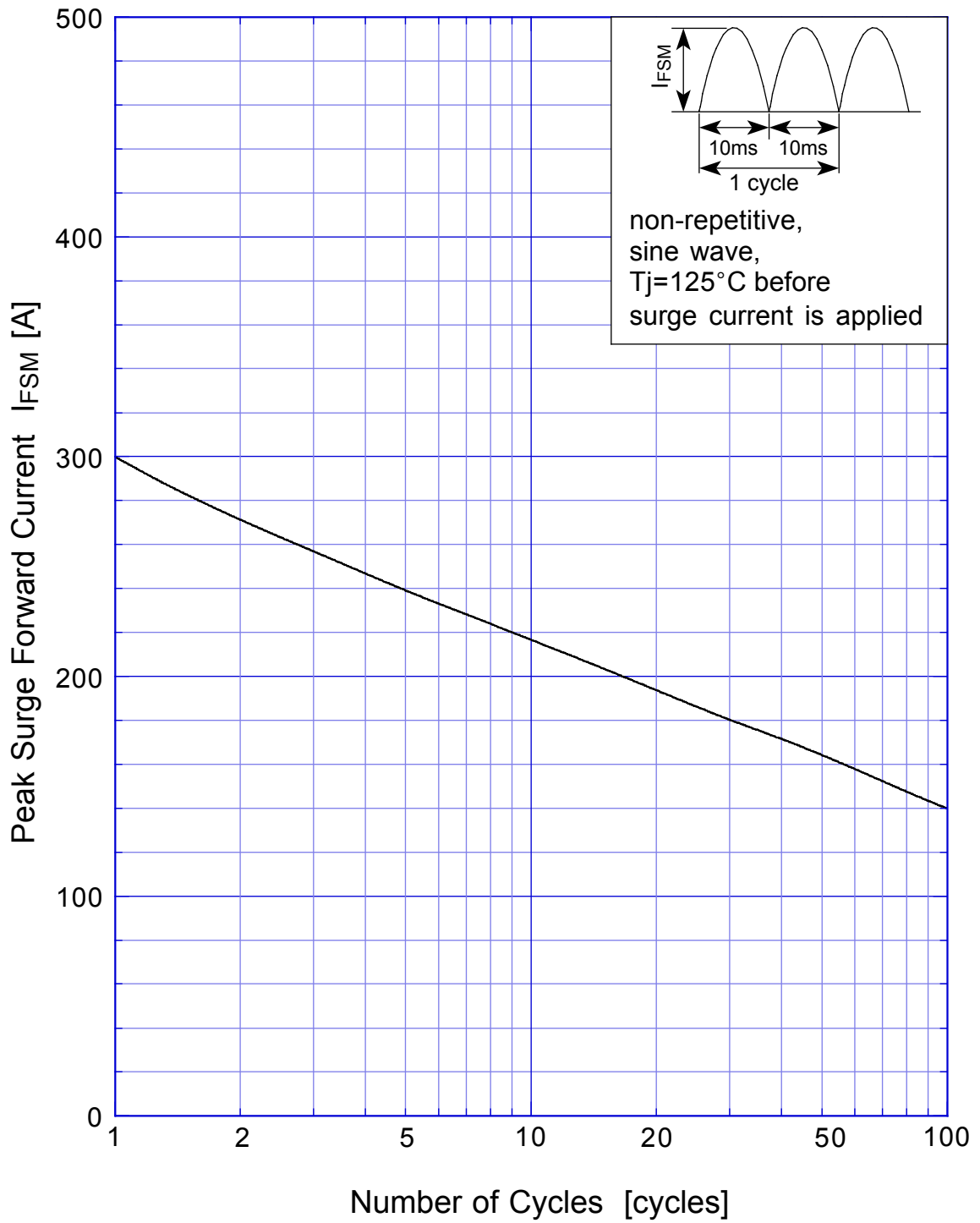
Derating Curve



$V_R = 20V$



S30SC4M Peak Surge Forward Capability

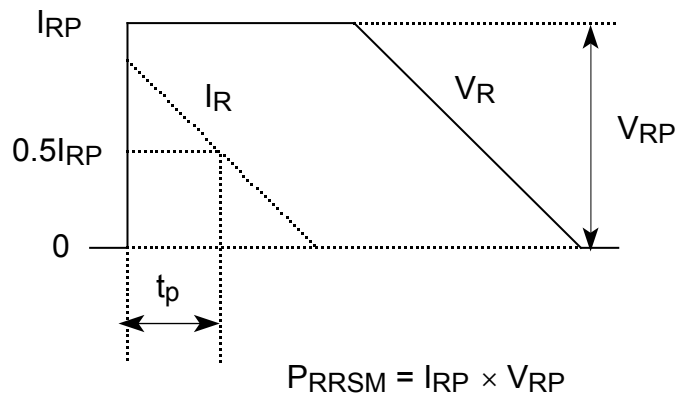


SBD Repetitive Surge Reverse Power Derating Curve



SBD

Repetitive Surge Reverse Power Capability



This datasheet has been download from:

www.datasheetcatalog.com

Datasheets for electronics components.